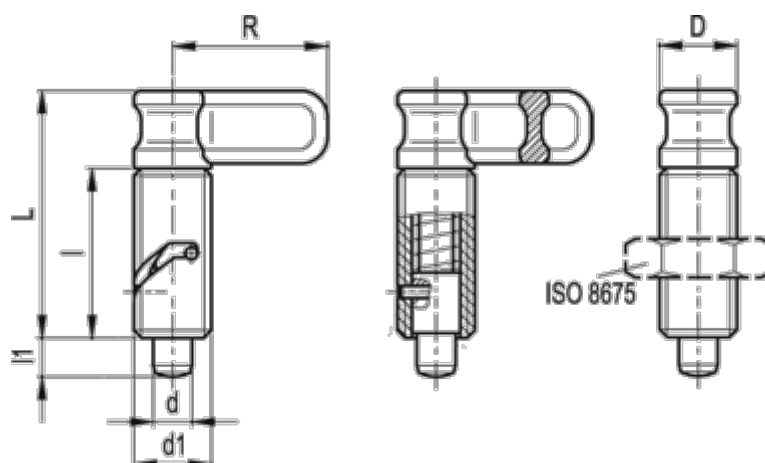


Article number: 20047008

Description: E+G Cam action Indexing plunger
GN 712-10-M16x1.5-R

Measures



| | |
|-------------------------|-----------|
| D | = 16 |
| d -0.02 -0.04 | = 10 |
| d1 | = M16x1.5 |
| l1 | = 8 |
| L approx. | = 51 |
| l min | = 35 |
| R | = 32 |
| Spring pressure end (N) | = 20 |

Spring pressure preload (N) = 6.5